

BFW

H45~H680 series

Applicative units for: Water treatment, HVAC, Rain water utilization...etc.

Working Pressure: 0.98Mpa (10kgf/cm²)

Working Temp.: 10°C ~ 100°C

Connection: Wafer type

Suitable actuator: H45~H680 model



H115-BFW



H150-BFW



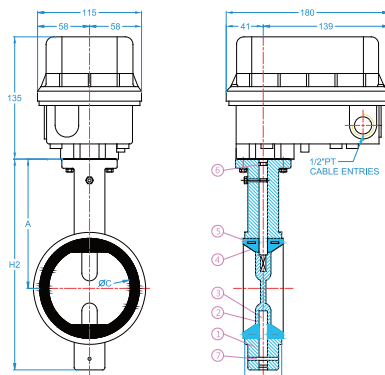
H400-BFW

ITEM	PARTS	MATERIAL
1	BODY	FC20 / CF8 / CF8M
2	DISC	SCS13 / SCS14
3	STEM	SUS304
4	IRON RING	GCD450
5	SEAT	NBR / EPDM / VITON
6	O-RING	NBR
7	SPRING PIN	CARBON STEEL

H45~H115

BFW series

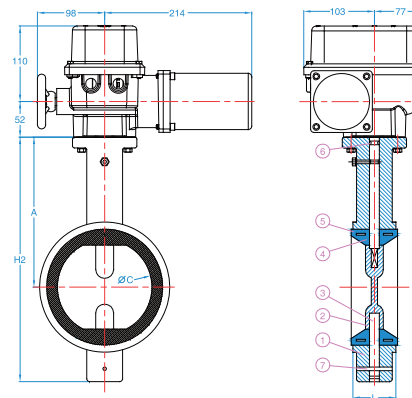
Unit [mm] [kg]							
IN	SIZE	L	H2	A	C	N.W	a1
2	50	43	201	136	56	5	
2 1/2	65	46	224	146	66	5.3	
3	80	46	240	152	84	5.8	



Model No.	H45A2250-BFW--	H70A2275-BFW--	H115A2215-BFW--	MH42A2250-BFW--	MH67A2275-BFW--
Size range	DN50 to DN65	DN50 to DN80	DN50 to DN80	DN50 to DN80	DN50 to DN80
Voltage supply (50/60Hz)	AC220V ±10%	AC220V ±10%	AC220V ±10%	AC220V ±10%	AC220V ±10%
Control Signal	ON-OFF	ON-OFF	ON-OFF	0/4~20mA, 1/2~10mA, 0/2-10Vdc	0/2-10Vdc
Running current	0.2A	0.2A	0.3A	0.2A	0.2A
Timing Nominal Driving quarter turn to open / close gate of valve	50Hz: 60 sec 60Hz: 50sec	95 sec	16sec	60 sec	95 sec
Motor Power	10W	10W	35W	10W	10W
Performance Operation	Consecutive running	Consecutive running	Non Consecutive running	Consecutive running	Consecutive running
Insulation level	E class				
Waterproof level	IP66				
Storage Temp. Range	-10°C to 50°C				
Operating Humidity Range	5 to 90% RH				
Electrical connection	1/2" cable connector				
Diameter of cable	1.25mm				
Optional Items	Auxiliary switches 2(SPDT) / Potentiometer / 1 KΩ		4~20mA Feedback		

H150~H240

BFW series

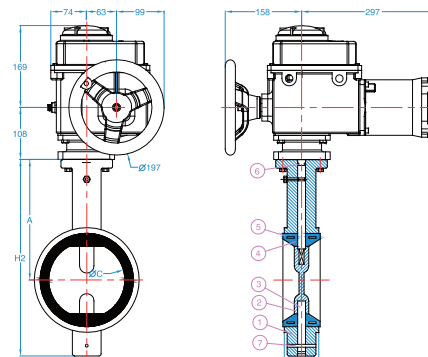


Unit [mm] [kg]						
IN	SIZE	L	H2	A	C	N.W
4	100	52.4	288	171	105	10.8
5	125	55.6	314	184	125	12
6	150	55.6	340	196	149	13
8	200	60	402	226	202	19.5

Model No.	H150A2208-BFW--	H220A2240-BFW--	H240A2280-BFW--	MH200A2240-BFW--	MH220A2280-BFW--
Size range	DN100 to DN150	DN100 to DN150	DN100 to DN200	DN100 to DN150	DN100 to DN150
Voltage supply 50/60Hz	AC220V ±10%	AC220V ±10%	AC220V ±10%	AC220V ±10%	AC220V ±10%
Control Signal	ON-OFF	ON-OFF	ON-OFF	4~20mA / 2-10V	4~20mA / 2-10V
Running current	1A	1.5A	1.5A	1.5A	1.5A
Timing Nominal Driving quarter turn to open / close gate of valve	50Hz: 10sec 60Hz: 8sec	42sec	82sec	42sec	83sec
Motor Power	180W	40W	40W	40W	40W
Performance Operation	Non consecutive running	Consecutive running	Non consecutive running	Consecutive running	Consecutive running
Insulation level	E class				
Waterproof level	IP66				
Storage Temp. Range	-10°C to 50°C				
Operating Humidity Range	5 to 90% RH				
Electrical connection	1/2" cable connector				
Diameter of cable	1.25mm				
Optional Items	Auxiliary switches 2(SPDT) / Potentiometer 1KΩ			4~20mA Feedback	

H400~H680

BFW series



Unit [mm] [kg]						
IN	SIZE	L	H2	A	C	N.W
8	200	60	402	226	202	33
10	250	68	468	258	250	43
12	300	78	544	293	299	53
14	350	78	588	318	328	68

Model No.	H400A2208-BFW--	H680A2235-BFW--	MH680A2235-BFW--
Size range	DN200 to DN300	DN200 to DN350	DN200 to DN350
Voltage supply 50/60Hz	AC220V ±10%	AC220V ±10%	AC220V ±10%
Control Signal	ON-OFF	ON-OFF	4~20mA / 2-10V
Running current	1.8A	1.7A	1.7A
Timing Nominal Driving quarter turn to open / close gate of valve	50Hz: 9sec 60Hz: 8sec	37sec	37sec
Motor Power	280W	280W	280W
Performance Operation	Non consecutive running	Non consecutive running	consecutive running
Insulation level	E class		
Waterproof level	IP66		
Storage Temp. Range	-10°C to 50°C		
Operating Humidity Range	5 to 90% RH		
Electrical connection	1/2" cable connector		
Diameter of cable	1.25mm		
Optional Items	Auxiliary switches 2(SPDT) / Potentiometer 1KΩ		4~20mA Feedback